

### Features & Options

- 8 Year Battery Life (with two 3.6 volt lithium batteries, full AA size)
- Optional Setpoint and Occupant Override
- 100 Foot In-Building Range, Extendable to 1,000 Feet with Repeater\*
- Transmitted signals can be converted to Voltage, Current or Resistive Outputs for the Controller

The BAPI Wireless Transmitter measures the room temperature and transmits the data through 418MHz RF to a receiver. The transmitter is mounted in a BAPI-Stat 2 style enclosure and has an in-building range of 100 feet\*. It is available with optional Setpoint and Override.

The unit has an estimated battery life of 8 years using two high-capacity 3.6V lithium batteries with a transmit rate of about once every 20 seconds. Each transmitter has a unique address with built in error detection. Each variable sent by the transmitter is picked up by the receiver and converted by a BAPI Analog Output Module to a voltage, current or resistance signal which is sent to the controller.

**PART NUMBER: BA/BS2-WT** - Wireless Temperature Transmitter

**PART NUMBER: BA/BS2-WT-O** - Wireless Temperature Transmitter with Occupant Override

**PART NUMBER: BA/BS2-WT-S** - Wireless Temperature Transmitter with Setpoint Adjustment

**PART NUMBER: BA/BS2-WT-SO** - Wireless Temperature Transmitter with Setpoint & Override

**PART NUMBER: BA/LI3620** - Lithium Battery 3.6V



**Transmitter with optional Setpoint & Override**

### Associated Products

#### • 418 MHz Receiver

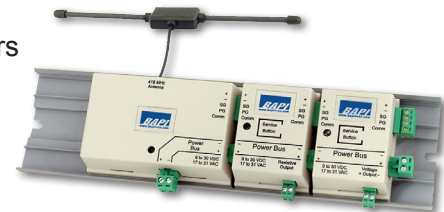
Receives the RF signal from one or more transmitters or repeaters and outputs the values to up to 127 Analog Output Modules.

#### • Analog Output Modules:

Converts the signal from the Receiver into a Resistance, Voltage or Current for sending to the controller.

#### • Repeater

Extends the range of the Transmitter up to 1,000 feet.



**Receiver with two Analog Output Modules**

### Specifications

**Supply Power:** Two 3.6V Lithium batteries, 8 year battery life at 20 second transmit rate

**Inputs:** Built in thermistor

**Accuracy:**  $\pm 0.36^{\circ}\text{F}$  ( $\pm 0.2^{\circ}\text{C}$ )

**Transmitted Range:**  $-40$  to  $185^{\circ}\text{F}$  ( $-40$  to  $85^{\circ}\text{C}$ )

**Environmental Operation Range:**

Temp:  $32$  to  $140^{\circ}\text{F}$  ( $0$  to  $60^{\circ}\text{C}$ )

Humidity:  $5\%$  to  $95\%$  RH non-condensing

**Material:** ABS Plastic

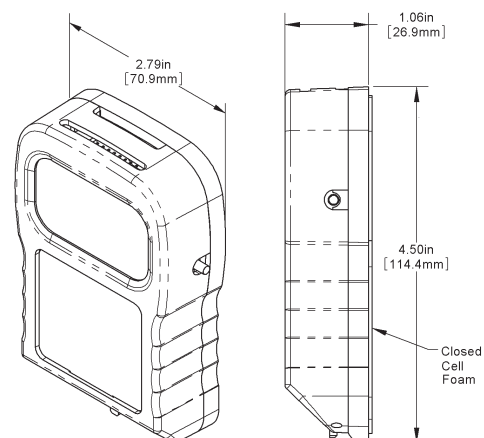
**Material Rating:** UL94 V-0

**Radio Frequency:** 418 MHz

**Transmitter Interval:** ~20 seconds

**Antenna:** Built inside the enclosure

**FCC Approval:** FCC ID# T4F061213RSO



\*Actual in-building transmission distances will vary depending upon building construction and other factors.